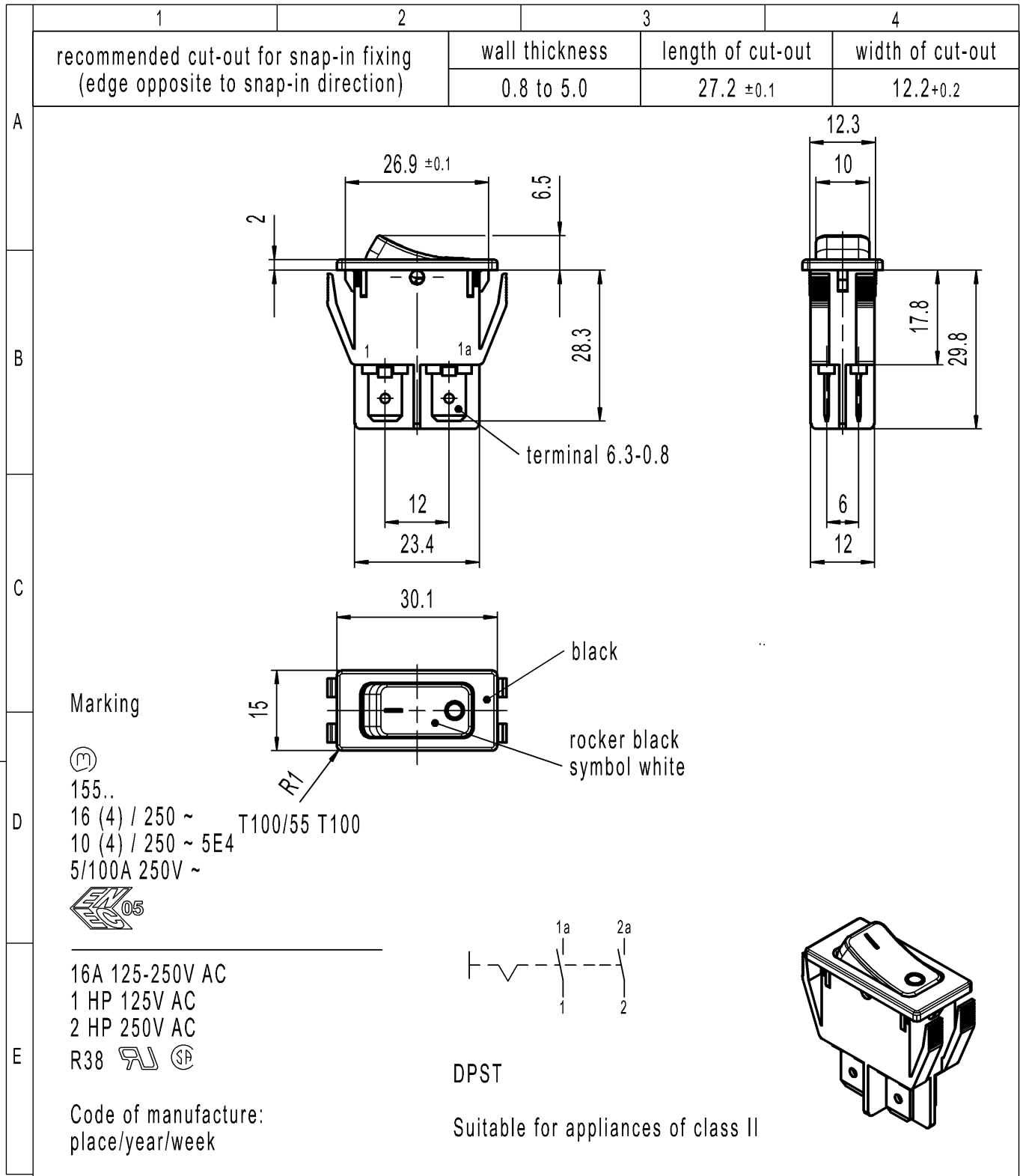


CONFIDENTIAL

VERTRAULICH

THIS DRAWING IS THE EXCLUSIVE PROPERTY OF MARQUARDT. WITHOUT THEIR CONSENT IT MAY NOT BE REPRODUCED OR GIVEN TO THIRD PARTIES.

Alle Rechte bei Marquardt, auch fuer den Fall von Schutzrechtsanmeldungen. Jede Verfuugungsbezugnis, wie Kopier- und Weitergaberecht, bei uns.



-	-	-	1552.3102-XX
Figure	Type	Customer No.	Art.No.-PI
Shape and location	Angle $\pm 2^\circ$	Sheet 01	Ident. K
	Edge tolerance	Format DIN A4	Document number 15523102
	Length	Projection	Index f
	Radii	Scale 1:1	Appliance Switch
f	0-6 ± 0.2	All dimensions are in millimetres	
e	>6-15 ± 0.4		System NX V11.0
c	>15-30 ± 0.4	Replacement of	
b	>30-70 ± 0.6		Zg.gl.Nr.v.21.04.1992
Index	MEC-No.	Date (YYYY-MM-DD)	Edited by